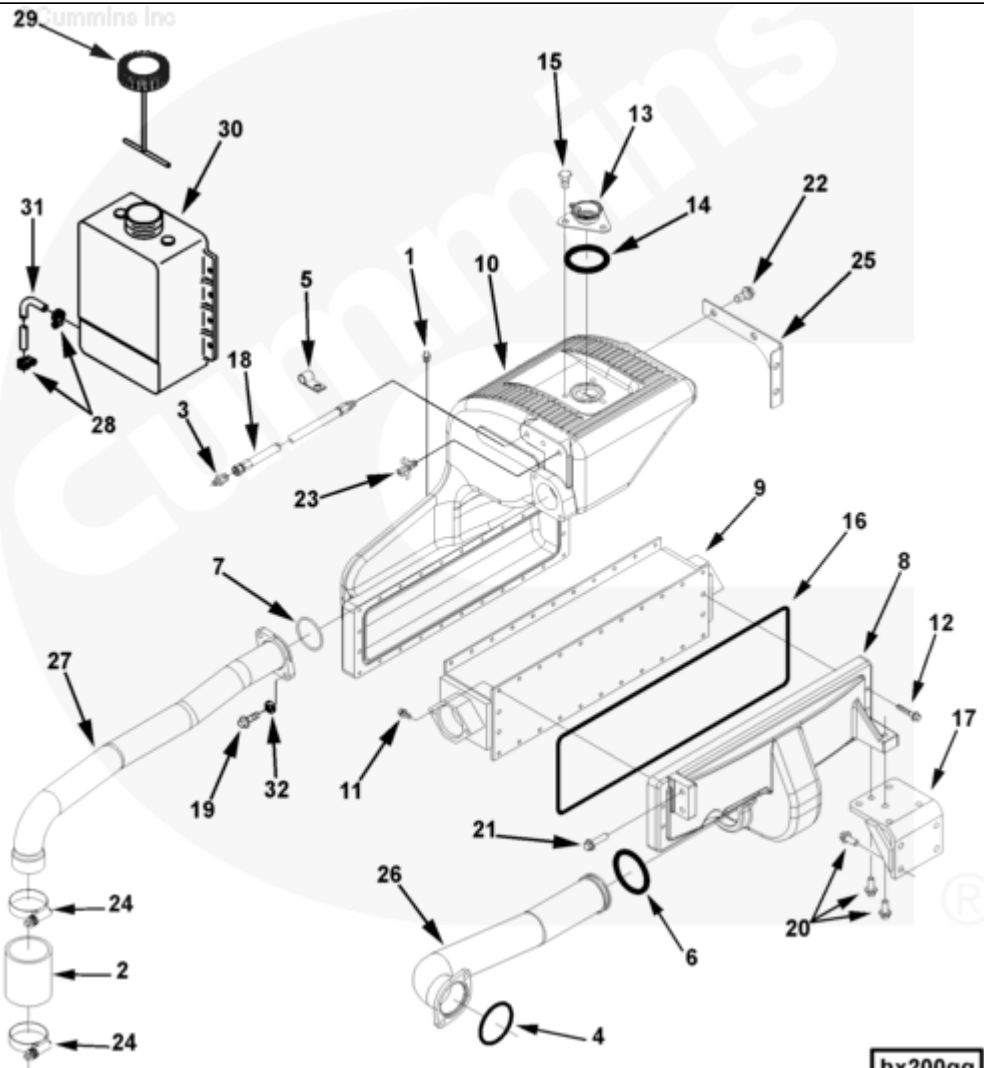




## Parts Catalog - Option Detail

Electronic Parts Catalog - Option Detail				
Option	Group	Graphic	Film Card	Date
HX2061-07	08.10	hx200gg	II	28-AUG-04
<b>Engines</b>	ISM CM570, ISM CM570/870, ISM CM875, ISM CM876, ISM CM876 E, ISM11 CM876 M103, ISM11 CM876 SN, M11 CELECT, M11 CELECT PLUS, M11 MECHANICAL, QSM11 CM570, QSM11 CM876			



SMALL | MEDIUM | LARGE

Cart	Ref No	Part Number	Part Description	Required	Remarks
View My Cart					
		<a href="#">HX2061-07</a>	Heat Exchanger		
					Heat Exchanger

					Heat Exchanger Mtg Loc: Right
					Side of Engine
					Expansion Tank Fill Loc:
					Right Rear
					Exhaust Manifold Type: Dry
					Sea Wtr Pump Flow Rate:
					378.541 1PM (100 GPM)
					Sea Water Pump Outlet OD:
					50.8mm (2")
<input type="checkbox"/>	1	<a href="#">S 949</a>	Plain Pipe Coupling	1	
<input type="checkbox"/>	2	<a href="#">67185</a>	Plain Hose	1	
<input type="checkbox"/>	3	<a href="#">68138</a>	Male Connector	1	
<input type="checkbox"/>	4	<a href="#">100716</a>	O-Ring Seal	1	
<input type="checkbox"/>	5	<a href="#">108722</a>	Clip	1	
<input type="checkbox"/>	6	<a href="#">122981</a>	O-Ring Seal	1	
<input type="checkbox"/>	7	<a href="#">145582</a>	O-Ring Seal	1	
<input type="checkbox"/>		<a href="#">3349371</a>	Heat Exchanger	1	
<input type="checkbox"/>	8	<a href="#">3349499</a>	Heat Exchanger Housing	1	
<input type="checkbox"/>	9	<a href="#">3349498</a>	Heat Exchanger Core	1	
<input type="checkbox"/>	10	<a href="#">3349500</a>	Heat Exchanger Housing	1	
<input type="checkbox"/>	11	<a href="#">3901865</a>	Hexagon Flange Head Cap Screw	44	M6 X 1.00 X 20.
<input type="checkbox"/>	12	<a href="#">3349510</a>	Hexagon Flange Head Cap Screw	8	M6 x 1.00 x 35
<input type="checkbox"/>	13	<a href="#">3393131</a>	Fill Connection	1	
<input type="checkbox"/>	14	<a href="#">3606661</a>	O-Ring Seal	1	
<input type="checkbox"/>	15	<a href="#">3909582</a>	Hexagon Head Cap Screw	3	M10 x 1.50 x 16
<input type="checkbox"/>	16	<a href="#">4019275</a>	O-Ring Seal	2	
<input type="checkbox"/>	17	<a href="#">3349373</a>	Heat Exchanger Bracket	1	
<input type="checkbox"/>	18	<a href="#">3349505</a>	Flexible Hose	1	
<input type="checkbox"/>	19	<a href="#">3900631</a>	Hexagon Flange Head Cap Screw	2	M8 X 1.25 X 25.

<input type="checkbox"/>	20	<a href="#">3902460</a>	Hexagon Flange Head Cap Screw	6	M10 X 1.50 X 25.
<input type="checkbox"/>	21	<a href="#">3903464</a>	Hexagon Flange Head Cap Screw	2	M10 X 1.50 X 40.
<input type="checkbox"/>	22	<a href="#">3903990</a>	Hexagon Flange Head Cap Screw	4	M10 X 1.50 X 20.
<input type="checkbox"/>	23	<a href="#">3909394</a>	Draincock	1	
<input type="checkbox"/>	24	<a href="#">3922849</a>	Hose Clamp	2	
<input type="checkbox"/>	25	<a href="#">4003560</a>	Expansion Tank Bracket	1	
<input type="checkbox"/>	26	<a href="#">4019903</a>	Water Inlet Tube	1	
<input type="checkbox"/>	27	<a href="#">4003598</a>	Water Outlet Tube	1	
<input type="checkbox"/>	28	<a href="#">3910509</a>	Hose Clamp	2	1/4 - 7/8 inch
<input type="checkbox"/>		<a href="#">3922500</a>	Coolant Recovery Reservoir	1	
<input type="checkbox"/>	29	<a href="#">3921339</a>	Expansion Tank Cap	1	
	30	<a href="#">3921480</a>	Coolant Recovery Reservoir	1	
<input type="checkbox"/>	31	<a href="#">3924493</a>	Plain Hose	1	
<input type="checkbox"/>	32	<a href="#">S 622</a>	Plain Washer	2	3/8 in.

© 2019 Cummins Inc., Box 3005, Columbus, IN 47202-3005 U.S.A.  
Terms of Use and Disclaimers | Recommended System Requirements  
Need Assistance? Please click on the Contact Us button in the top right corner of any page.